



# Base Radio pour Lecteur CAB Atex AG-ExScan-B



## Model number

AG-ExSCAN-B

## Features

- Approved for Zone 1 (ATEX)
- Base station for the wireless barcode reader AG-ExScan-M
- Stainless steel housing



## Technical Data

### General specifications

Radio distance (in open air) max. 50 m

### Electrical specifications

Operating voltage UB 8 ... 9 V

Current consumption 100 mA

### Directive conformity

Electromagnetic compatibility  
R&TTE-Directive 1999/5/EC ETSI EN 301489-1-  
V1.8.1:2008

Explosion protection  
Directive 94/9/EC EN 60079-0:2009,  
EN 60079-11:2007

### Ambient conditions

Operating temperature -10 ... 50 °C (14 ... 122 °F)

Storage temperature -20 ... 60 °C (-4 ... 140 °F)

Relative humidity 90 % , noncondensing

### Mechanical specifications

Protection degree IP54

Mass 340 g

Dimensions 271 x 128 x 80 mm

Height antenna 107 mm

### Data for application in connection with Ex-areas

Group, category,  
type of protection II 2G Ex ib IIB T4 Gb

Voltage Ui 9 V

Current Ii 400mA

Power Pi 1.5 W

Internal capacitance Ci 10 µF

Internal inductance Li negligible

## Function

AG-ExScan-B the base station of the wireless barcode reader system of the barcode reader family AG-ExScan. The barcode reading system comprises the barcode reader and the base station AG-ExScan-B and the charger AG-Scan-C.

The wireless barcode reading system is suitable for use in hazardous areas that correspond to Zone 1 (ATEX) in operating data acquisition or logistics applications.

The wireless barcode reader AG-ExScan-M in combination with AG-ExScan-B can be used as standalone-system as well as in combination with AG-VNet operator stations or operator panels in hazardous areas.

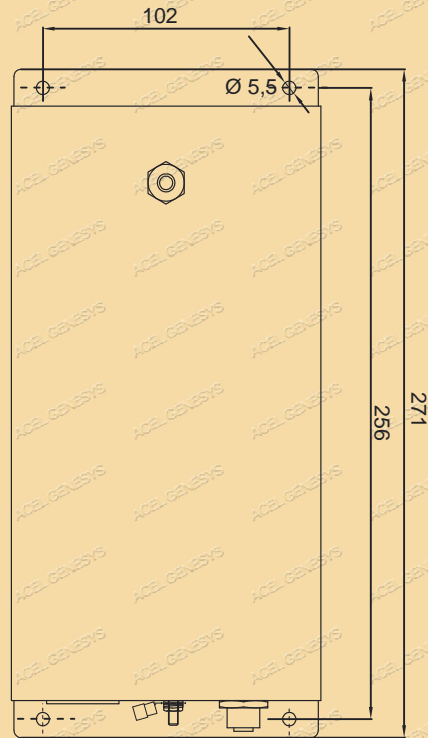
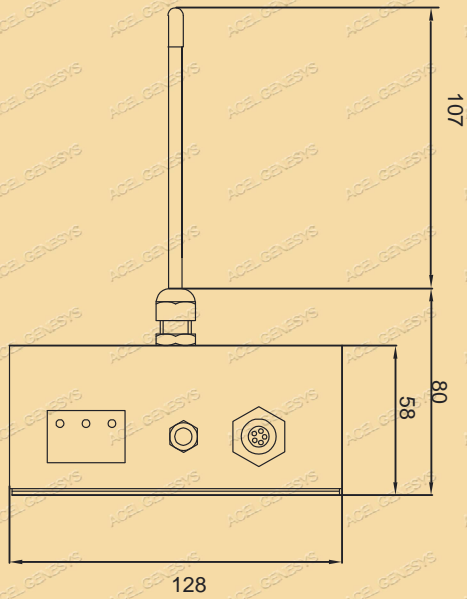
## Accessories

AG-POW-DC-30



# Base Radio pour Lecteur CAB Atex AG-ExScan-B

## Dimensions



## Ordering information

Model number	Description
AG-ExSCAN-B 05	Base station ATEX II 2G Ex ib IIB T4 Gb 433 MHz Europe Interface 5 mA Version 1.0 - No Options
Model number	Description
AG-ExSCAN-B 20	Base station ATEX II 2G Ex ib IIB T4 Gb 433 MHz Europe Interface 20 mA Version 1.0 - No Options

Photos non contractuelles - Les spécifications sont données à titre indicatif ; elles sont susceptibles d'être modifiées sans préavis.

Toutes les marques citées sont déposées par leurs propriétaires respectifs.  
ACEL GENESYS S.A.S. - Z.A. - 1, route de Galluis - 78940 La Queue Lez Yvelines  
Tél : 01.34.86.45.56 - Fax : 01.34.86.42.83 - <http://www.acelgenesys.fr>